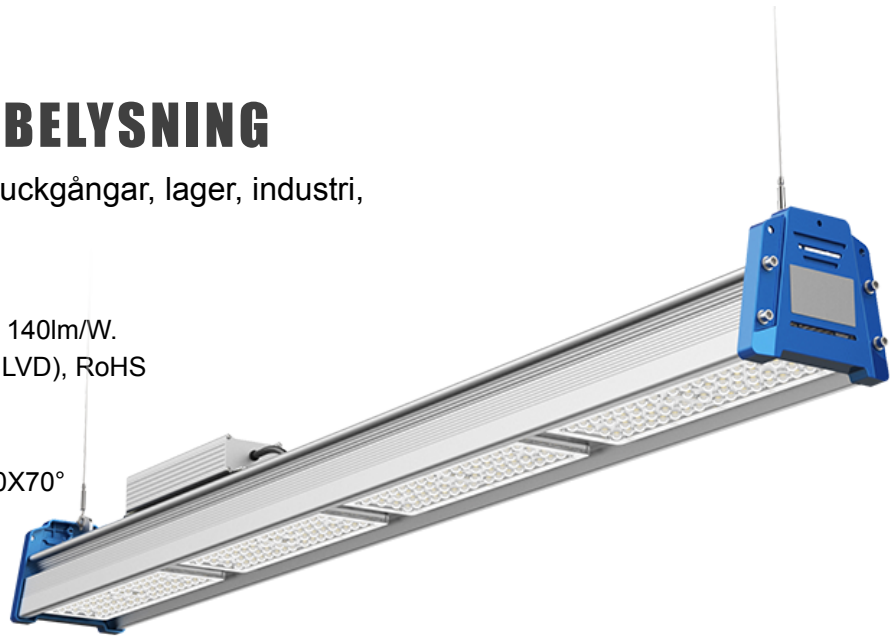


# HIGH BAY LED REC LINE 2

## HIGH BAY LED / LAGERBELYSNING

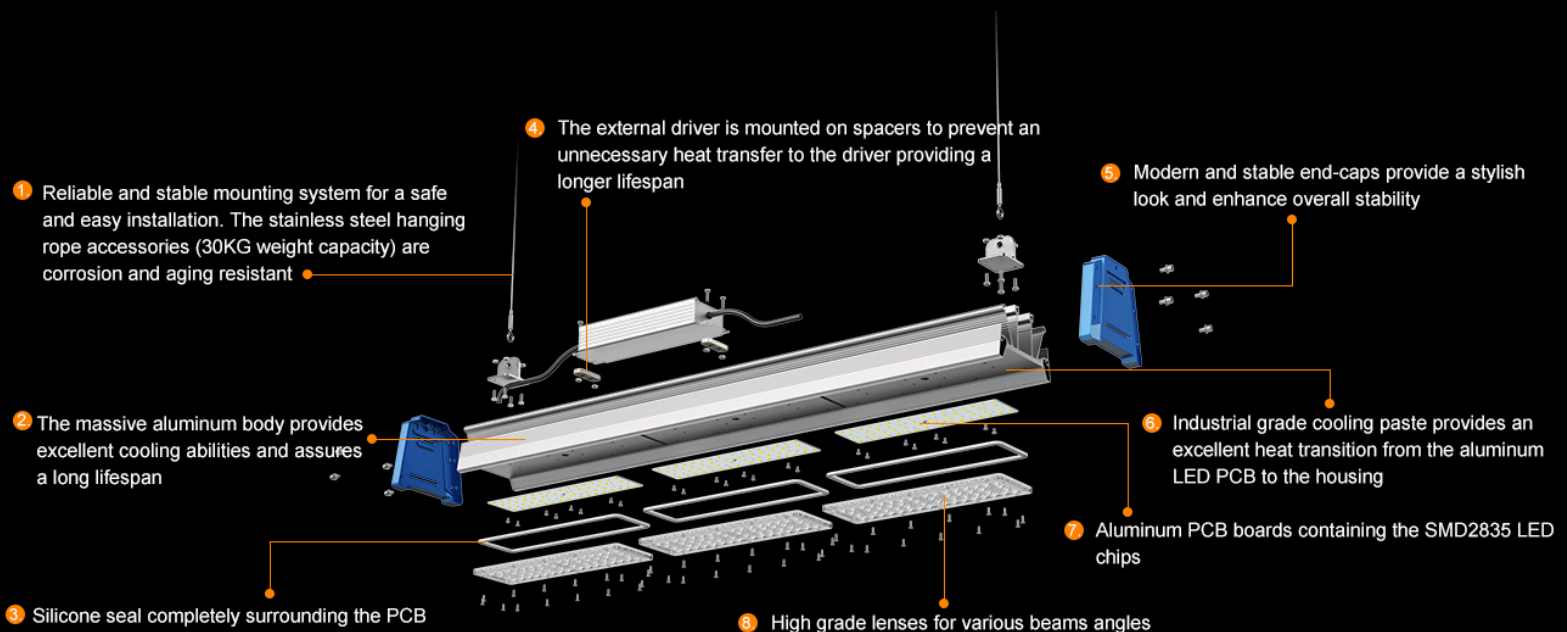
High Bay LED ECO 2. Anpassad för truckgångar, lager, industri, idrottsanläggningar mm.

- Ljusstark LED armatur med ljusflöde upp till 140lm/W.
- SAA, CE, RoHS TUV, ENEC, CB, CE(EMC,LVD), RoHS
- Installationshöjd upp till 30 meter
- IP65 klassad
- Valbar spridningsvinkel, även rektangulär 30X70°
- Högvoltsskydd
- Flera möjliga tillval
- 5 års garanti



### ARTIKLAR

Art nr (KELVIN)	Watt	Lumen	Volt	Färgtemp	Driver	CRI / RA	IP	Ljusvinkel	Dioder
HBLRL100-(30-60)2	100	ca 13000	AC 100~277V, 50~60Hz	3000-6000K	Tomcarline / Mean Well	70	IP65	30°60°/90°/ 30X70°60X90°	SMD
HBLRL150-(30-60)2	150	ca 19500	AC 100~277V, 50~60Hz	3000-6000K	Tomcarline / Mean Well	70	IP65	30°60°/90°/ 30X70°60X90°	SMD
HBLRL200-(30-60)2	200	ca 26000	AC 100~277V, 50~60Hz	3000-6000K	Tomcarline / Mean Well	70	IP65	30°60°/90°/ 30X70°60X90°	SMD
HBLRL240-(30-60)2	240	ca 31000	AC 100~277V, 50~60Hz	3000-6000K	Tomcarline / Mean Well	70	IP65	30°60°/90°/ 30X70°60X90°	SMD
HBLRL400-(30-60)2	400	ca 52000	AC 100~277V, 50~60Hz	3000-6000K	Tomcarline / Mean Well	70	IP65	30°60°/90°/ 30X70°60X90°	SMD





## INFO

<b>Operating frequency</b>	47-63HZ	<b>Available light colors</b>	warm white;natural white;daylight white
<b>Type of current</b>	AC100-277V	<b>Available color temperatures</b>	3000K;4000K;5000K;6000K
<b>Power factor <math>\lambda</math></b>	>0.9	<b>Color rendering index Ra</b>	>70
<b>Efficiency in %</b>	>92%	<b>Standard deviation of color matching</b>	<3
<b>Start time (0.2s / 0.5s / ... )</b>	0.1S	<b>UGR (Unified Glare Rating)</b>	<27
<b>Warm-up time to 60 %</b>	0.5S	<b>Available beam angles</b>	30°60°/90°/30X70°60X90°
<b>Rated nominal Lifetime</b>	50,000hours	<b>Base/Socket</b>	Directly wired
<b>Switching cycles</b>	100,000 times	<b>Dimmable (additional)</b>	1-10V dimmable / DALI dimmable
<b>Lumen maintenance at e.o.l.</b>	80 %		
<b>Type of protection</b>	IP65	<b>Heatsink temperature</b>	-20~+68°C
<b>Tested dielectric strength</b>	3.75KVac	<b>Ambient temperature</b>	-40~+50°C
<b>Safety features</b>	Open circuit protection short circuit protection overvoltage protection	<b>Storage temperature</b>	-40~+80°C
<b>Certificates</b>	TUV, GS, CB, CE, D-Mark, SAA, CTick, RCM, UL, DLC Premium, cUL		
<b>Energy efficiency class</b>	A++		